

COMPASS

TECMA
EXCELLENCE ON BOARD

Maximum flexibility to fit everywhere



China Ceramic



Compass = 21,5 kg
Compass Short = 19,5 kg



Eco / Premium /
Premium Plus



Silent flush



Low consumption



0.5 - 2.7 L per flush

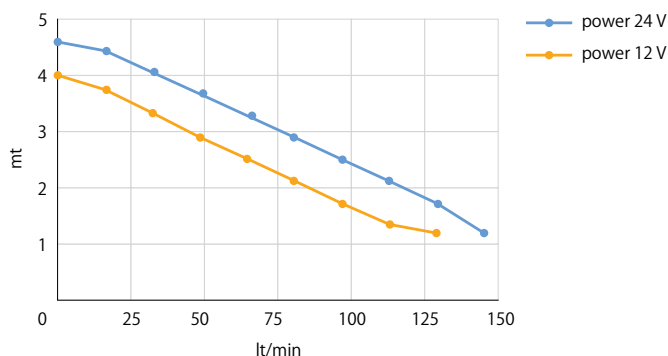
NEW 2014





MAC 4
outlet pump
macerator turbine

	12V dc	24V dc
Fuse recommended	30 A	20 A
Inlet pipe	3/4" ID – 20 mm	
Outlet pipe	1 1/2" ID – DN 40	
Pump performance	Max vertical head 4 mt - Max horizontal distance 40 mt	



SOLENOID
centralized system

	12V dc	24V dc
Power	10 W - 0.9 A	80 W - 3 A
Pressure recommended	3 bar	

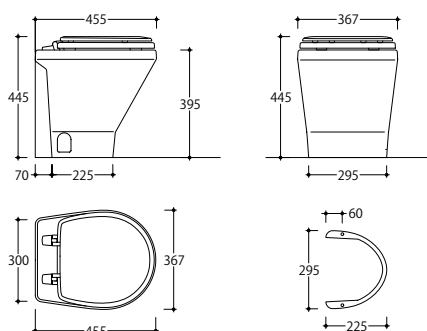


INLET PUMP
inlet pump
single system

	12V dc	24V dc
Fuse	8 A	4 A
Pressure	45 PSI – 3 bar	
Water flow	3.2 US GPM – 12 L/min	

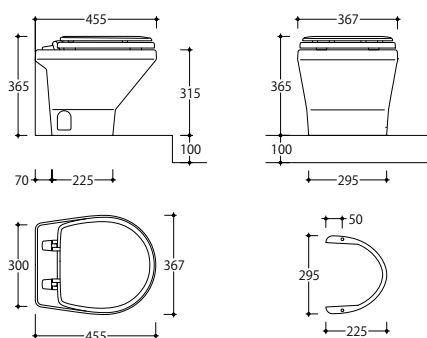
COMPASS

- WC WEIGHT - 21,5 kg
- WATER USAGE - 0,5 / 2 L



COMPASS SHORT

- WC WEIGHT - 19,5 kg
- WATER USAGE - 0,5 / 2 L



CONTROL PANELS:



ECO

- ultra effective rocker switch
- compact and easy to use
- water and power saving
- press up: add water
- press down: flush



PREMIUM

- electronic control panel
- smart flush software
- electronic water amount setup
- sailing or mooring mode
- overflow protection (12 sec max)



PREMIUM PLUS

- same features of premium panel
- tank monitoring (red/yellow/green)
- system lock in full tank condition
- system lock out override
- compatible with inductive sensors

COLOR		SEAT AND COVER		OUTLET PUMP		CONTROL PANEL		INLET DEVICE	
standard	optional	standard	optional	standard	optional	standard	optional	standard	optional
white	pergamon	soft closing		12-24 v MAC4		eco	premium / premiumplus	solenoid	inlet pump

